

INSTRUCTION SHEET



KEPCO

RA 72

MODEL RA 72 RACK ADAPTER

DESCRIPTION

The Kepco Model RA 72 is designed for the installation of two Kepco ABC Series Power Supply in a standard 19-inch (482.6 mm) rack. Slides can not be used with this rack adapter.

INSTALLATION

Assemble the rack adapter (refer to Figure 1): attach the two handles to the panel using four screws, then attach the three brackets to the panel using nine lockwashers and nine nuts. Four mounting holes are provided for securing the rack adapter to the rack. Figure 2 provides instructions for installing the ABC power supplies in the rack adapter, and shows outline dimensions of the assembled rack adapter with power supplies installed.

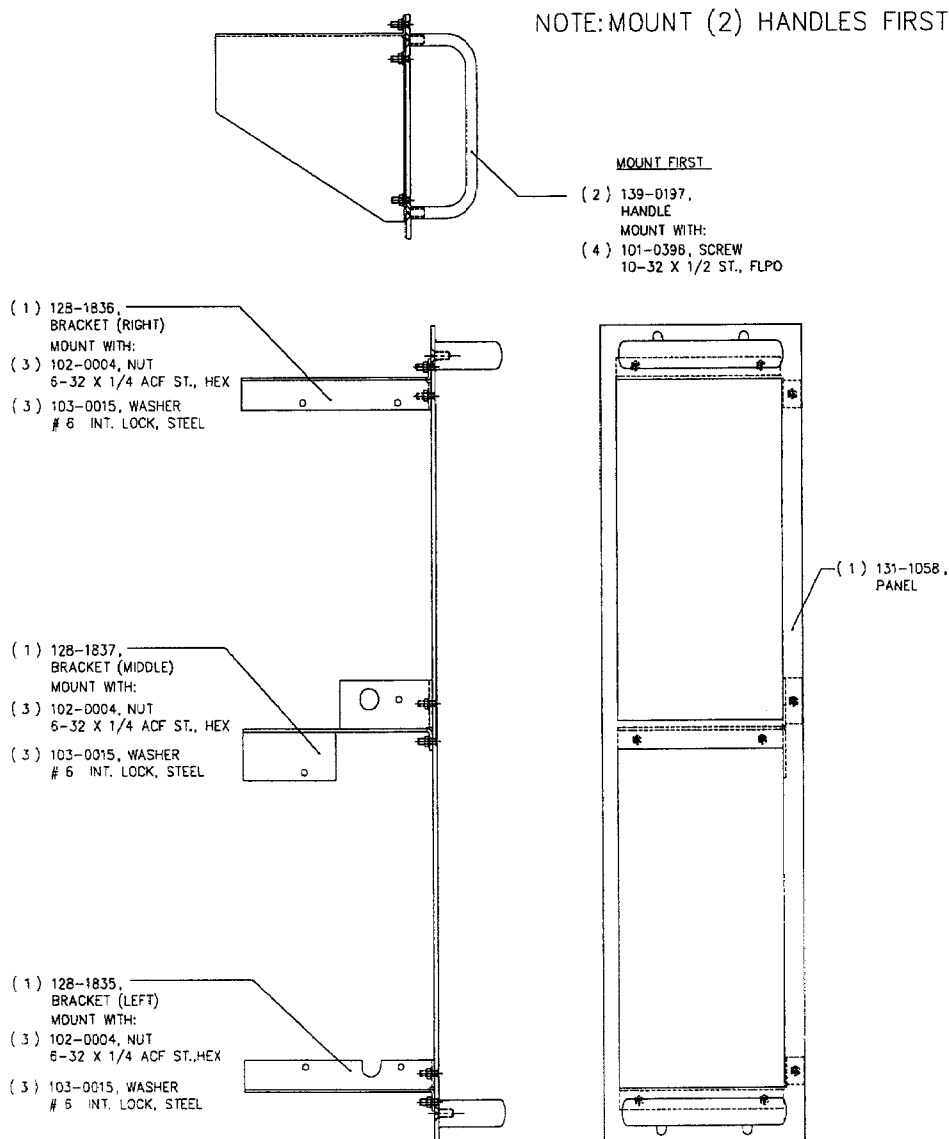
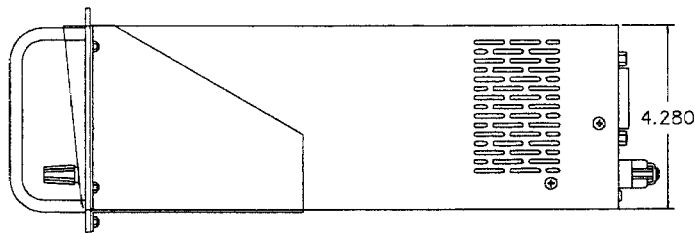
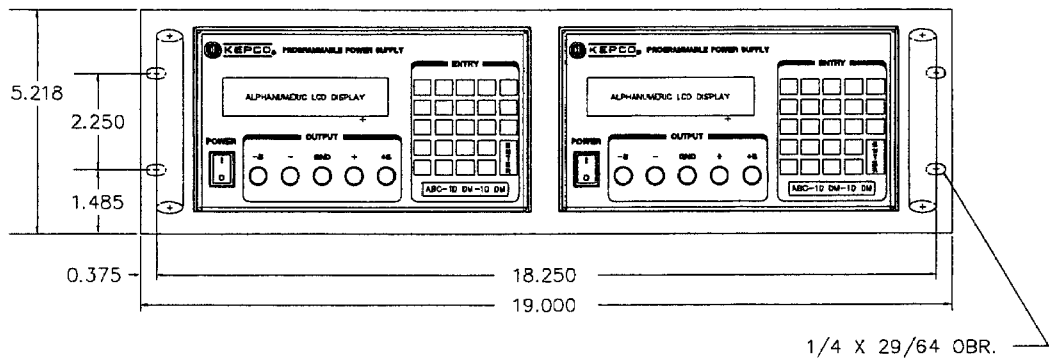
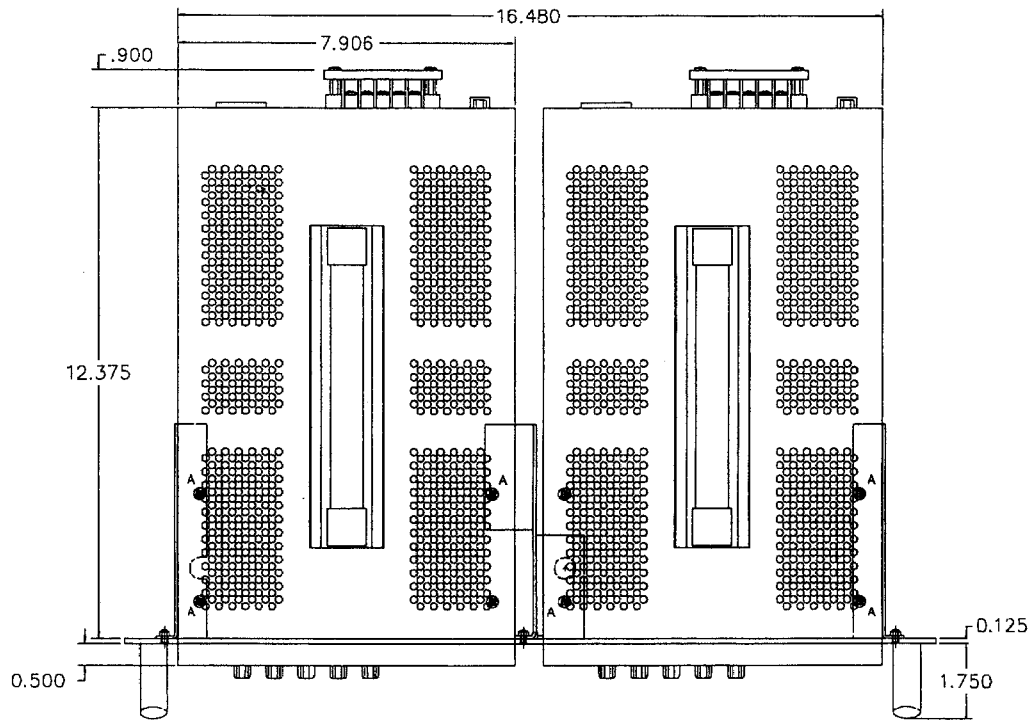


FIGURE 1. RA 72 RACK ADAPTER ASSEMBLY

KEPCO, INC. ● 131-38 SANFORD AVENUE ● FLUSHING, NY. 11352 U.S.A. ● TEL (718) 461-7000 ● FAX (718) 767-1102

<http://www.kepcopower.com> ● email: hq@kepcopower.com



NOTES:

- TO MOUNT ABC UNITS IN RACK ADAPTER P/N 158-0131 (RA 72)
- 1: REMOVE BAIL AND (4) FEET FROM EACH POWER SUPPLY.
- 2: USE (6) SCREWS . 6-32 X 1/4 (KEPCO P/N 101-0212) AND (6) INT. LOCK WASHER FOR #6 SCREW (KEPCO P/N 103-0015) MARKED "A" FROM BOTTOM OF THE RA 72 TO SECURE EACH POWER SUPPLY

FIGURE 2. MOUNTING ABC POWER SUPPLY IN RA 72 RACK ADAPTER